

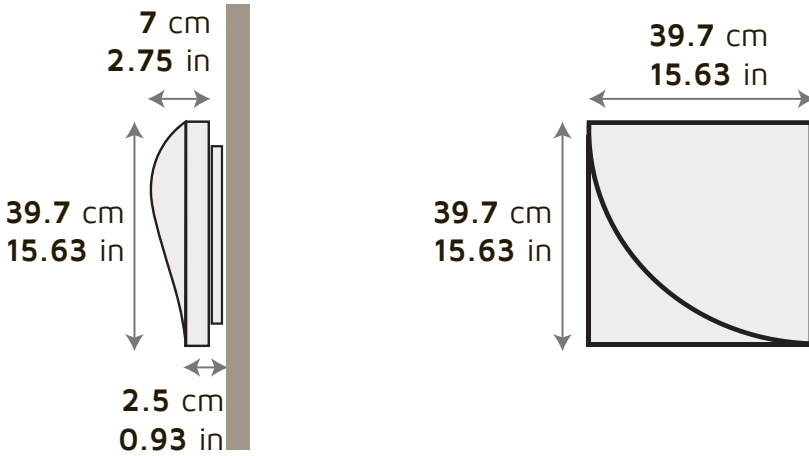
Dune

Cuboids tile is a decorative led tile that is designed to be a part of **num** tile Lighting System, dimmable and with a capability to change from cool to warm white light color by remote control.

Specification Sheet

Material:	Polycarbonate
Color:	White
Brightness:	Diffused Light
Input Volatge:	100-240V 50-60Hz AC
Led Quantity:	Total 240 120: color approx. 2800k/CRI_Ra min. 80 120: color approx. 5000k/CRI_Ra min. 80
Luminous Flux:	1089lm
Power Consumption:	MAX 10W
Weight:	3.5 kg
Packing:	46cm x 14cm x 44cm / 18.5in x 5.5in x 17.7in

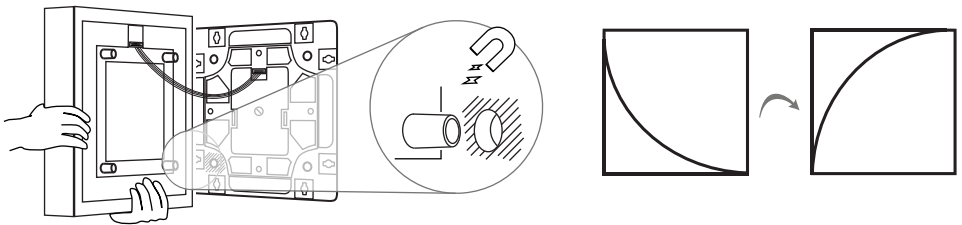




Additional Information

Each tile comes with a wall mount unit that functions as a hanging device, supplying electrical power and control to the tile.

Once hanged, it allows to detach the tile from the wall mount unit, turn it 90 / 180 / 270 degrees and magnetically reattach the tile.



The wall mount unit can conjugate with other mounting units to form a multiple tile system.

